



SPECIFICATIONS – Aromatherapy Steam Head
Construction..... Brass
Aromatherapy..... Integral Reservoir
Operation..... Thermal operated retractable outlet

Contemporary Round – Modern Recessed Square

Aromatherapy Retractable Steam Head Basic Operation:

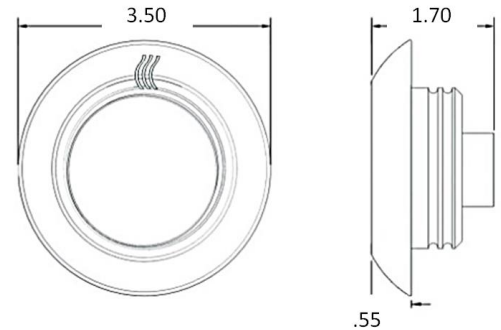
- Patented NoTouch™ retractable steam head with integral Aromatherapy well
- Available in 2 Styles and 15 Finishes
- Sleek new design dispenses steam safely
- Whisper quiet operation

Installation Notes:

The steam head should be installed 12” inches from the floor and 6” from any wall. Locate as far as possible from the bathing seating area or location of the users and not below any fixtures.

Product Specification:

The Steam Head shall be made from half hard Brass, includes the ability to open and close automatically and incorporates an Aromatherapy reservoir.



Shipping Information:

Weight..... 2 lbs.
 Length.....12 in.
 Width.....12 in.
 Height.....6 in.



Contemporary Edge



Modern Recessed Edge

Finish Chart:

Select desired finish and replace XX with code. No-Touch Aromatherapy steam head finishes.

PC = Polished Chrome	PN = Polished Nickel
SC = Satin Chrome	SN = Satin Nickel
PB = Polished Brass	BN = Black Nickel
SB = Satin Brass	AN = Antique Nickel
AB = Antique Brass	PG = Polished Gold
COP = Polished Copper	ORB = Oil Rubbed Bronze
ACOP = Antique Copper	WHT = White

For any further assistance please contact
 ThermaSol at 800.776.0711 or
sales@thermasol.com